



159 Gates Road, Howard, PA 16841 USA  
 (814) 353-9290  
 www.centroidcnc.com

# Board Level CNC Control for 3rd Party Servo Drives

Motion Controller, Drive Interface, and PLC (MPU11 & GPIO4D)

Starting at **\$2345** with CENTROID Mill or Lathe software

## CNC PC choices:

Your Windows 7 PC



OR:  
 Our All-in-One PC  
 \$1125 (11084tb)



OR:  
 Our CNC PC \$1125  
 cabinet mount (#11084)  
 & your display

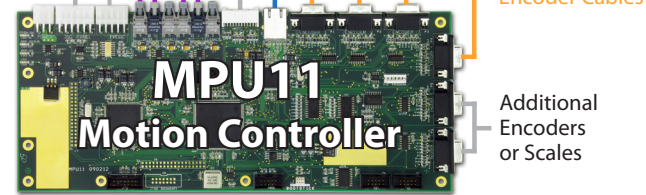
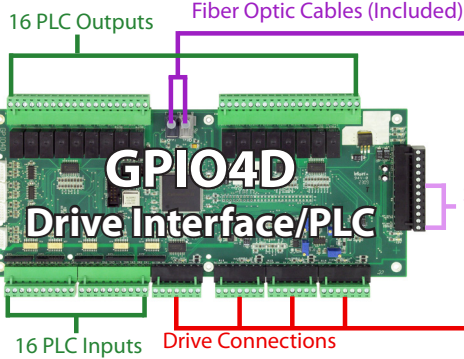


OR:  
 Our CNC console  
 \$2995 (#11082)  
 Panel Mount console \$2455 (#11170)  
 \*Touch screen option \$495 (#12568)



Ethernet  
 Cable to PC

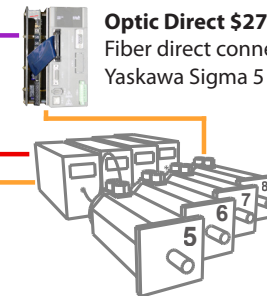
Standard Kit Includes:  
**MPU11 & GPIO4D**  
**\$2345**  
 with CENTROID Software  
 (#11022)



Optic 4  
 Or Optic Direct

Yaskawa, Delta, Glentek, Sanyo  
 Denki, Panasonic, Maxsine, and  
 more... up to 4 axes standard

Optic Direct \$275 (#12554)  
 Fiber direct connection for  
 Yaskawa Sigma 5 & Delta ASDA-A2



\*Add an optional Optic4,  
 for up to 8 total axes  
**\$895** (#11013)

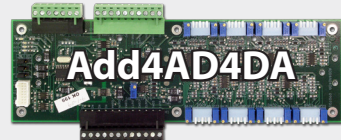


## Optional IO Expansion Boards

Add up to 4 in any combination for up to 272 In / 272Out



16 Inputs (5, 12, 24 VDC)  
 16 Relay Outputs  
**\$395** (#11025)



4 Digital to Analog Outputs  
 4 Analog to Digital Inputs  
**\$685** (#11141)



64 Inputs 5V non isolated  
 64 Outputs Open Collector  
**\$1290** (#11212)



Optional  
 Operator's  
 Control Panel  
**\$775** (#11077)



Optional  
 Manual Pulse  
 Generator (MPG)  
**\$495** (#11069)

Optional Touch Probe & Software  
**DP-4 \$1590** (#10405)  
**DP-7 \$4200** (#12431)



Optional  
 Auto Tool Set  
 - TT-2 **\$1295** (#12486)  
 - TT-1 **\$649** (#10220)