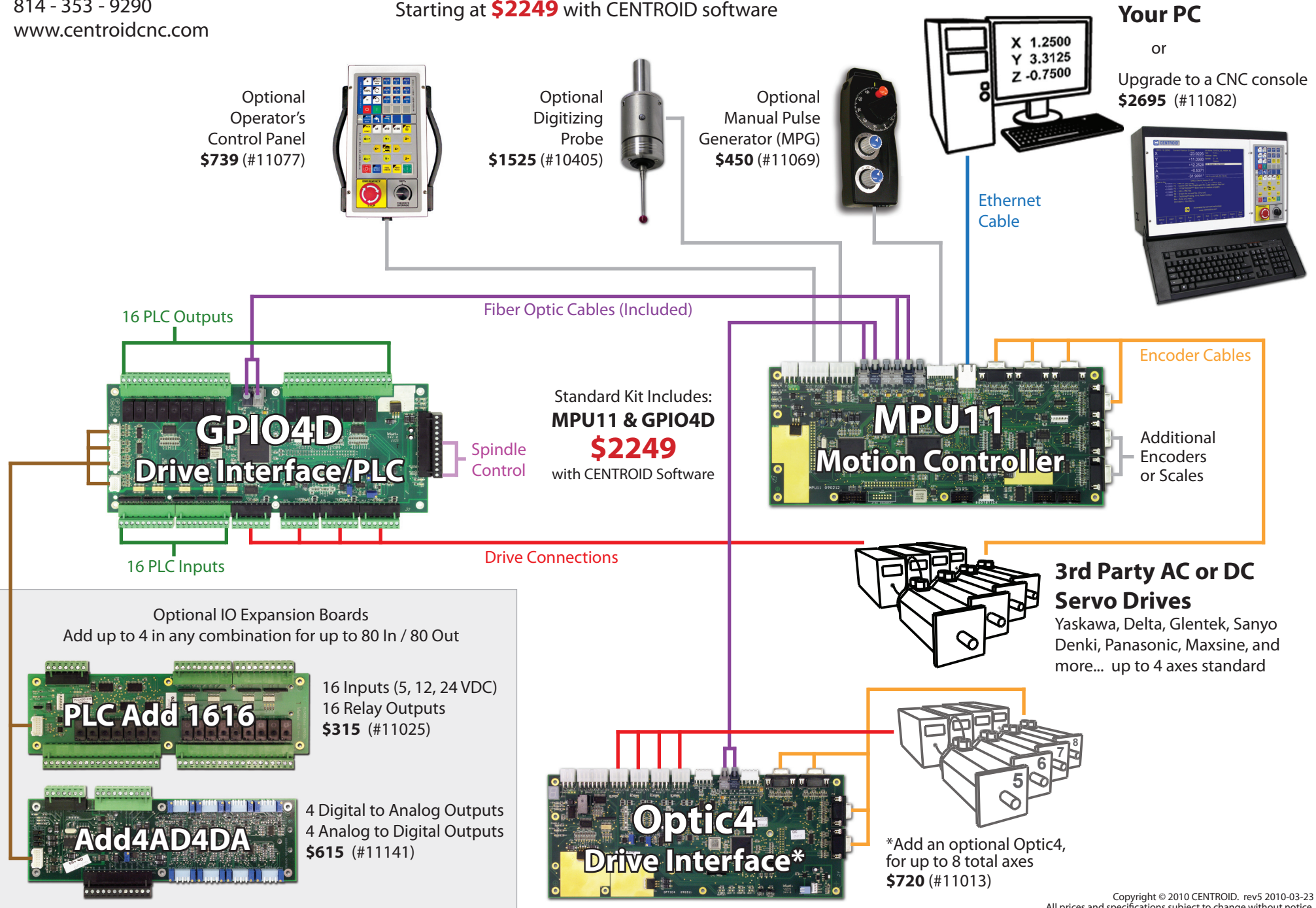




159 Gates Road, Howard, PA 16841 USA  
 814 - 353 - 9290  
 www.centroidcnc.com

# CNC Control for 3rd Party Drives

Includes Motion Controller, Drive Interface, and PLC  
 Starting at **\$2249** with CENTROID software



Optional  
Operator's  
Control Panel  
**\$739** (#11077)

Optional  
Digitizing  
Probe  
**\$1525** (#10405)

Optional  
Manual Pulse  
Generator (MPG)  
**\$450** (#11069)

**Your PC**  
or  
Upgrade to a CNC console  
**\$2695** (#11082)

16 PLC Outputs

Fiber Optic Cables (Included)

Ethernet  
Cable

Encoder Cables

16 PLC Inputs

Drive Connections

Standard Kit Includes:  
**MPU11 & GPIO4D**  
**\$2249**  
with CENTROID Software

**MPU11**  
Motion Controller

Additional  
Encoders  
or Scales

**3rd Party AC or DC  
Servo Drives**

Yaskawa, Delta, Glentek, Sanyo  
Denki, Panasonic, Maxsine, and  
more... up to 4 axes standard

Optional IO Expansion Boards  
Add up to 4 in any combination for up to 80 In / 80 Out

**PLC Add 1616**

16 Inputs (5, 12, 24 VDC)  
16 Relay Outputs  
**\$315** (#11025)

**Add4AD4DA**

4 Digital to Analog Outputs  
4 Analog to Digital Outputs  
**\$615** (#11141)

**Optic4**  
Drive Interface\*

\*Add an optional Optic4,  
for up to 8 total axes  
**\$720** (#11013)