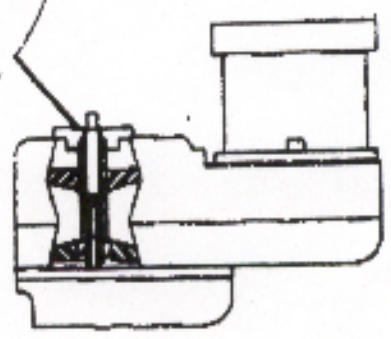


FIGURE #1



Please fill out the following information using the drawbar that is currently being used in the machine.

A. With the quill all the way retracted and locked scribe a line .050 below the bearing cap (see drawing). What is the distance including the spacer to the scribed line?

A.

B. What is this distance from the face of the spacer to the end of the bar?

B.

C. What are the threads? Diameter and pitch.

C.

D. What is the diameter of the step on the spacer and or drawbar?

D.

E. What is the diameter of the head?

E.

F. Make, Model, ~~Serial~~ of machine?

F.

