

EXTRON



LH series

HORIZONTAL MACHINE

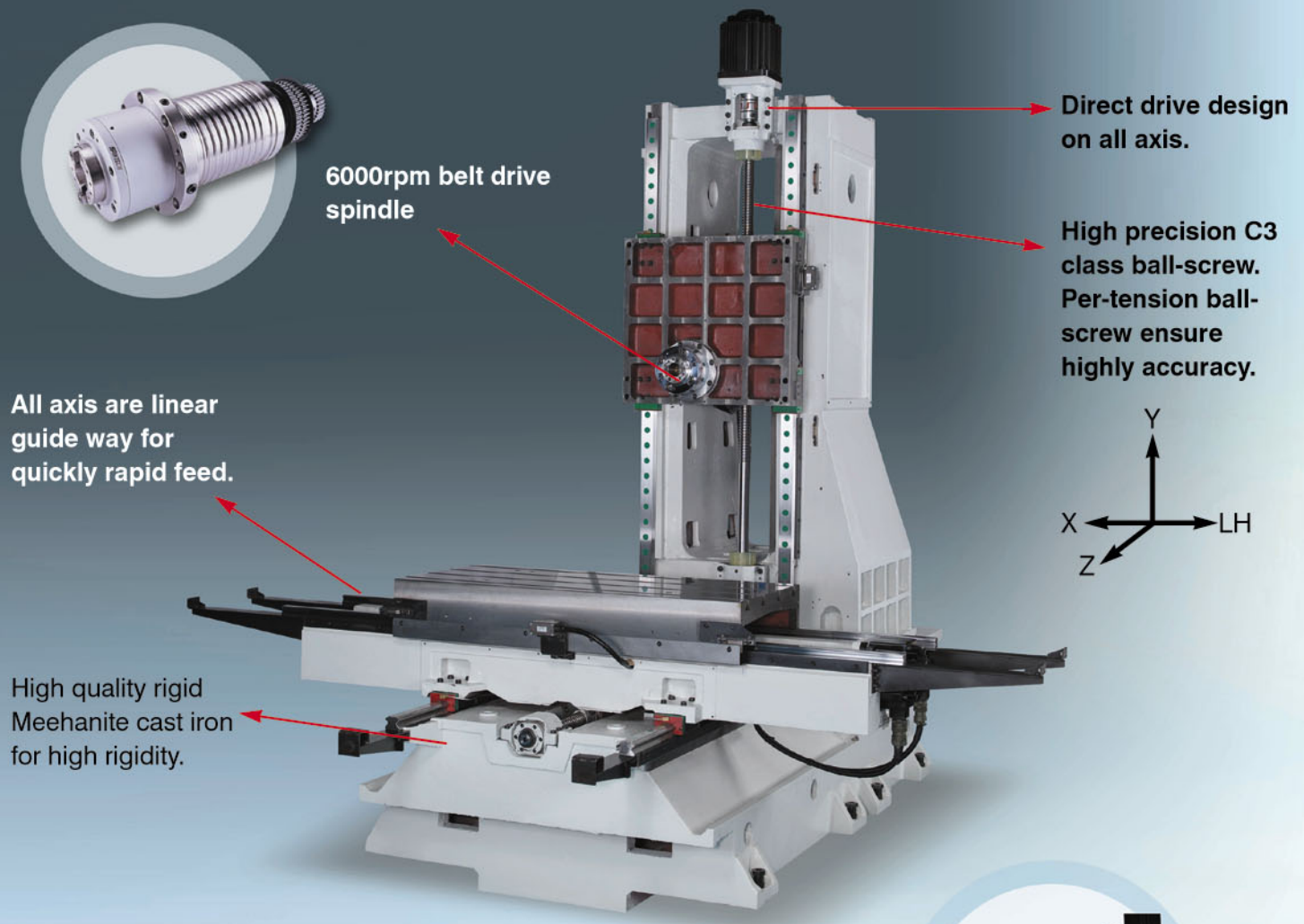
ISO 9001
BSMI

CE

YIH CHUAN MACHINERY INDUSTRY CO., LTD.

MACHINING CENTER

LH series



FEATURES

- ▲Anti-Flex, Reinforced base & column casting to support rigid and powerful machining.
- ▲800 mm Y axis travel provide bigger working capacity.
- ▲All axis direct drive design to ensure the least backlash and long lasting accuracy.
- ▲Per-tension ball-screw ensures highly accuracy.
- ▲Non Counter-weight system design to support quickly rapid & movement smoothly.
- ▲3 sets linear guide way block design to support high accuracy and reliability.
- ▲The column casting are internally reinforced with cross ribs to provide the rigidity and absorb vibration.



24 tools swing arm tool change magazine



CNC rotary table (B axis / opt.)

Specifications

Item	Model	LH-108
X travel		1020 mm
Y travel		800 mm
Z travel		685 mm
Table size		1090 x 500 mm
Table T-slot		18 mm x 4
Max. table load		800 kgs (1760 lbs)
Spindle nose to table center		88-773 mm
Spindle center to table surface		158~950 mm
Spindle nose to column surface		250 mm
Table surface to floor		882 mm
Spindle speed		6000 rpm (8000 rpm opt.)
Spindle taper		CAT or BT 40
Spindle motor		20 HP
Ballscrew diameter		φ 40 mm
Pitch of ballscrew		X & Y: 12 mm / Z is 10 mm
Rapid feed		X & Y: 24 M/min / Z is 20 M/min
Cutting feed		10 M/min
ATC type		Swing Arm type
Tool storage capacity		24 tools
Max. Tool diameter		φ 80 mm
Max. Tool weight		7 kgs
Max. Tool length		300 mm
Floor space		2800 x 2950 x 2730 mm
Machine weight		6400 kgs (4080 lbs)

▲We reserve the right to change design, color or specification without notice.

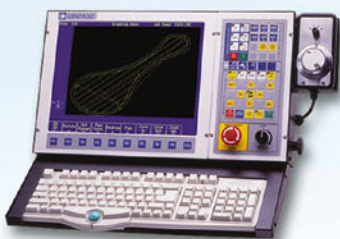
STANDARD ACCESSORIES

- Spindle Air blast
- Air gun system
- Coolant system
- Spindle chiller
- Auto. Lubrication system
- Halogen work light
- Splash guarding
- Swing arm type 24 tool ATC system
- Leveling bolts & pads
- Telescoping way cover
- Adjusting tools & tool box
- Alarm light
- Operating manual
- Mechanical manual
- Electrical manual

OPTIONAL ACCESSORIES

- Oil skimmer
- Full enclosure
- ZF gear box
- CNC rotary table
- Precision index table
- Coolant through spindle(15bar)
- Auto. Tool length measurement
- Air condition for electric cabinet
- Swing arm type 30 tool ATC system
- Screw type chip conveyer
- Chain type chip conveyer
- High voltage transformer

Control System



▲ CENTROID



▲ SIEMENS



▲ MITSUBISHI

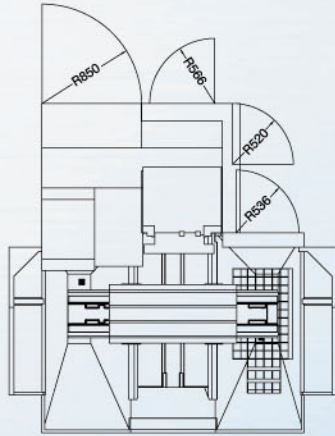


▲ MIRL

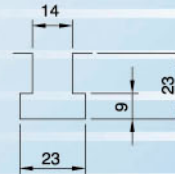


▲ FANUC

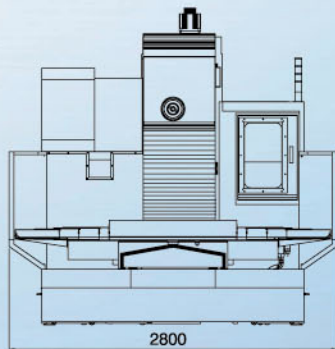
DIMENSIONS



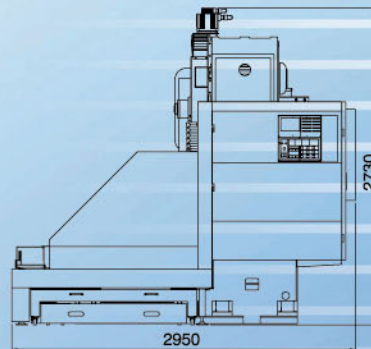
Top View



T-Slot



Front View



Side View

EXTRON

**YIH CHUAN MACHINERY
INDUSTRY CO., LTD.**

8, 9 th Rd., Taichung Industrial Park,
Taichung, 40755 Taiwan

Tel: 886-4-2359-3351

Fax: 886-4-2359-0967, 2359-0012

<http://www.extron.com.tw>

E-mail: extron@mail.extron.com.tw

TRUMP

THE EXCELLENT MACHINE

ATRUMP MACHINERY INC.

670 Union Avenue Pomona,
CA 91768 U.S.A

TEL: (909) 623-6887

FAX: (909) 623-2287

Toll Free Hot Line; 1-877-4-Atrump
(287867)

<http://www.atrump.com>

E-mail: atrump@atrump.com